

POWER SUPPLY TESTER

for Commodore 64/VIC20, Amiga external power supply, PC (only +5v and +12V)

written by Sergio Gervasini for ESOCOP - The European Society for Computer Preservation
<http://www.esocop.org>

License

Copyright (c) 2018 Esocop
The European Society for Computer Preservation.

Permission is granted to copy, distribute and/or modify this document under the terms of the GNU Free Documentation License, Version 1.3 or any later version published by the Free Software Foundation; with no Invariant Sections, no Back-Cover Texts and with these Front-Cover Texts:

POWER SUPPLY TESTER
written by Sergio Gervasini for ESOCOP - The European Society for Computer Preservation
<http://www.esocop.org>

A copy of the license is available on Esocop's site and can be obtained here:

<http://www.esocop.org/gnu/gnu-1.3-license.txt>

There are various situations for which a quick test on a power supply can be useful to diagnose some anomalies, but the use of the tester is uncomfortable and allows only one voltage to be measured at a time.

The use of LCD modules to measure the voltage in the 3-30V range is now economic, so with 3 modules, a suitable container and some connectors taken from machines now irrecoverable, you can create a simple measuring instrument.

See, for example, the measure of an Amiga external power supply:



Or a C64:

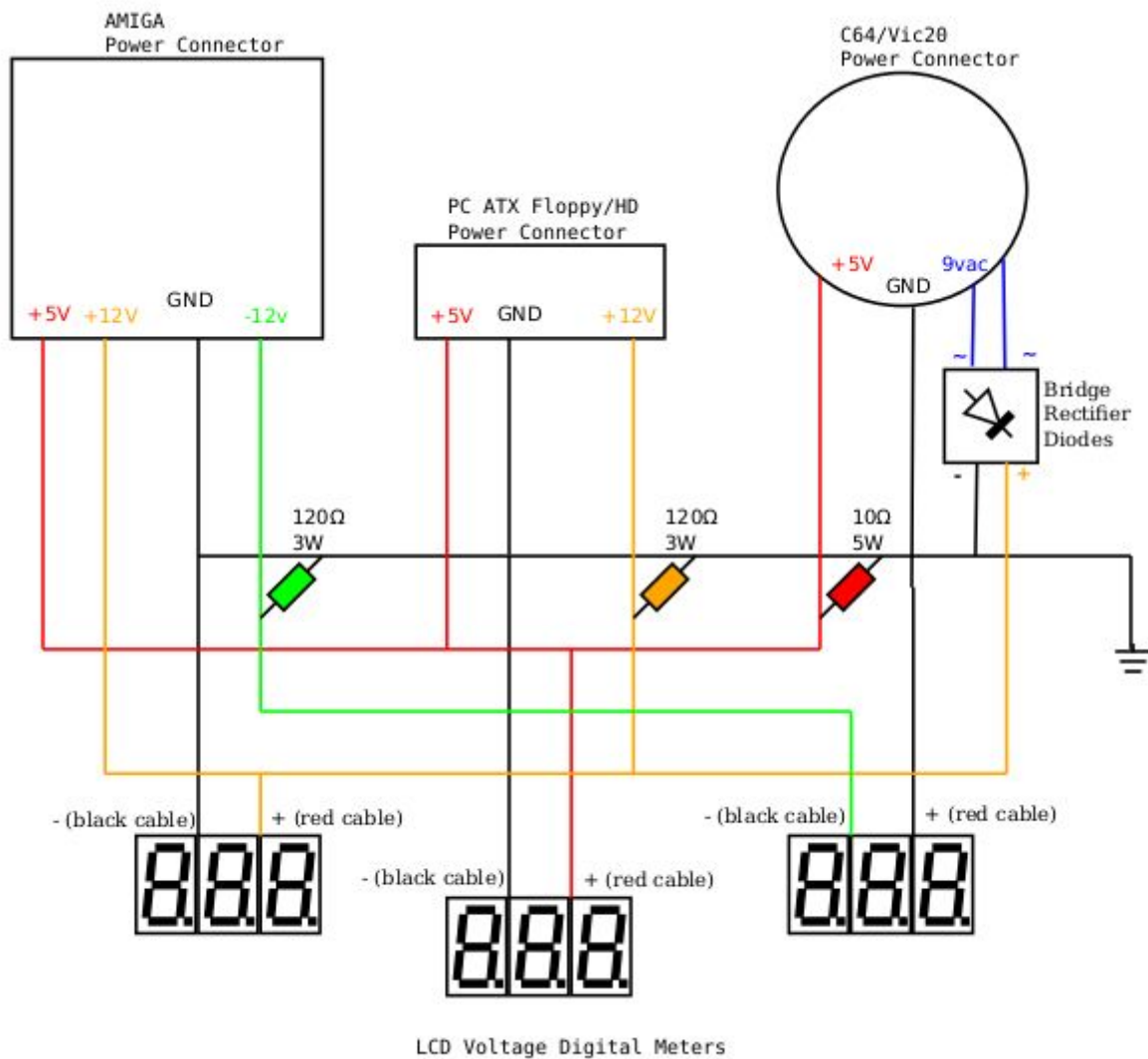
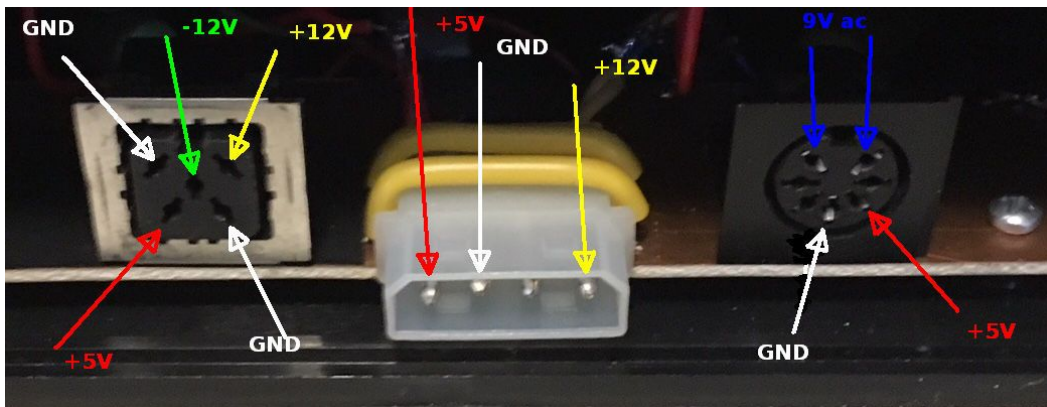


The wiring diagram is very simple: at the back there are 3 connectors bringing the measured voltages to the front instruments. A rectifier bridge is provided to measure also the alternating voltage produced by the C64 power supply, moreover some resistors allow to simulate the load, as if there were a connected device.

WARNINGS:

- Pay attention to the connections of the indicator on the right, it must measure a negative voltage, so the positive (red cable) must go to ground.
- Don't use for C128 power supply, the connector is the same as the Amiga but the voltages are different!
- The instrument measures only one power supply at a time, so do not connect 2 at the same time

Power supply tester



Power supply tester

(c) 2018 by the European Society for Computer Preservation <http://www.esocop.org>